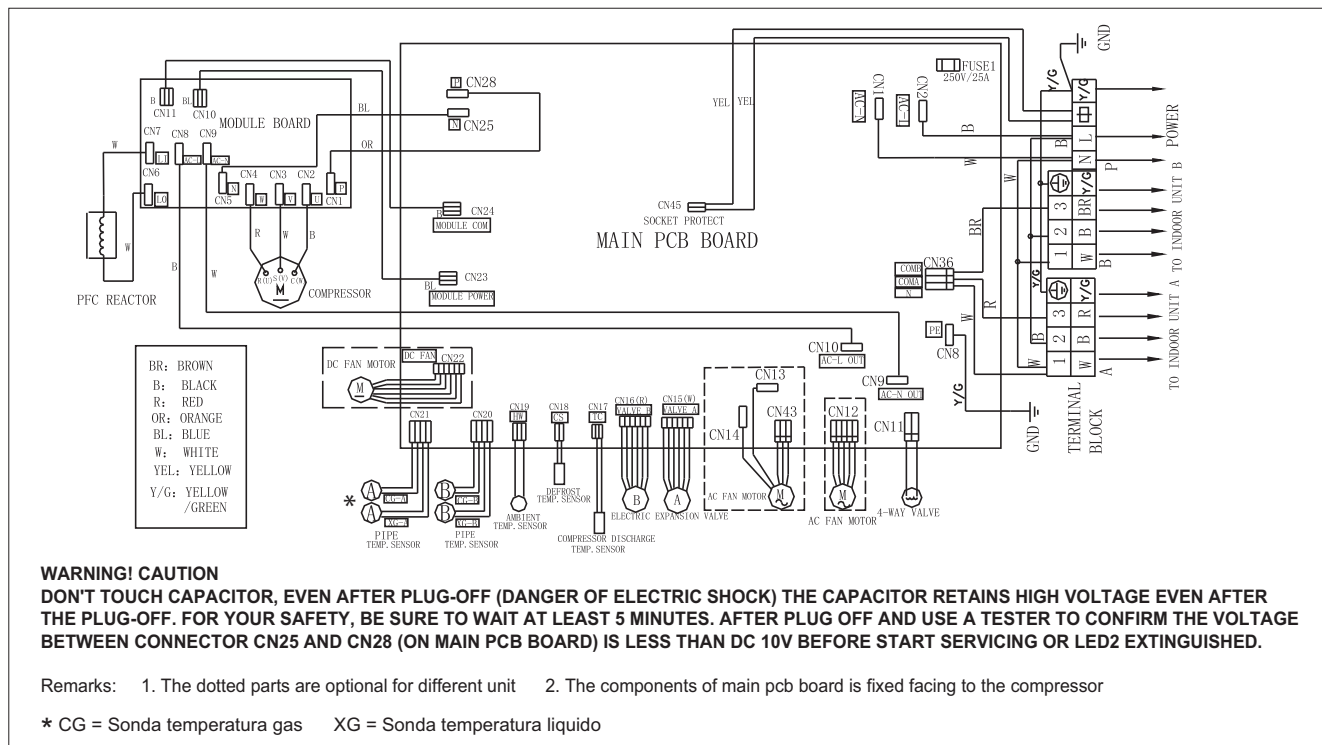
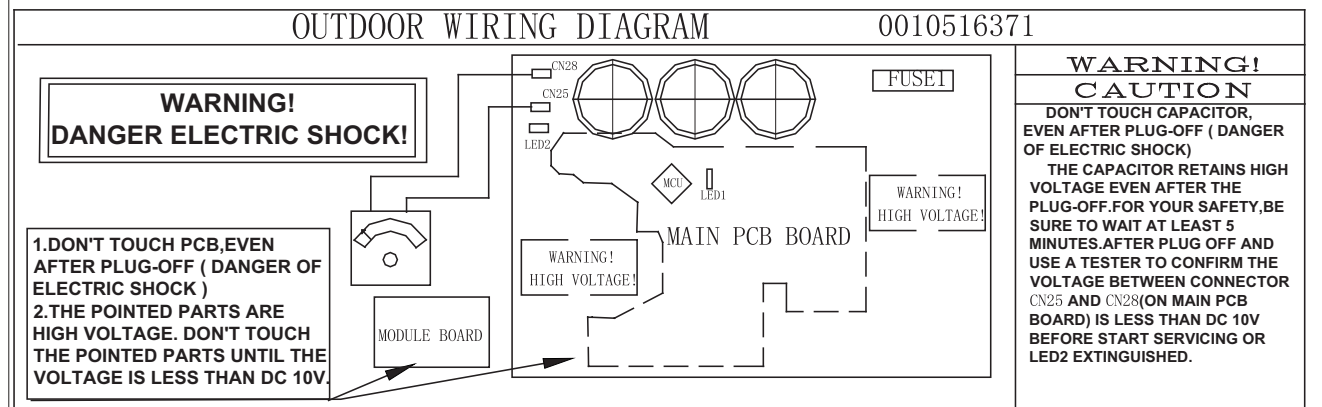
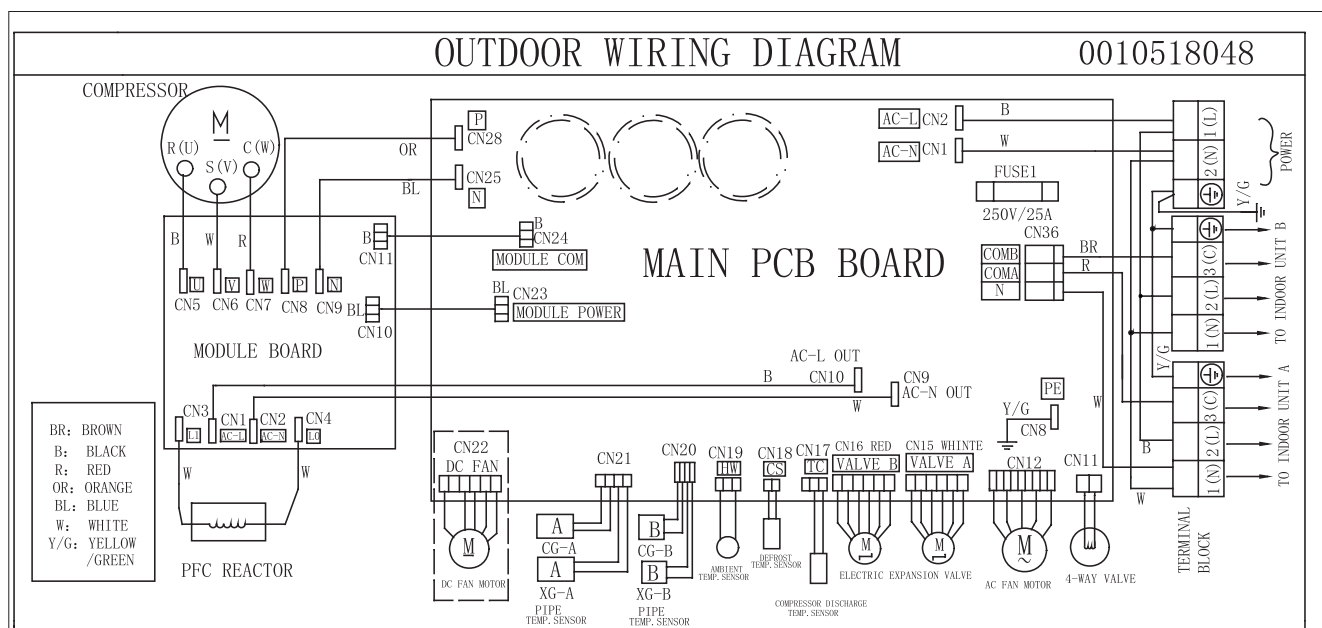


SCHEMA ELETTRICO DI COLLEGAMENTO UE 14K



SCHEMA ELETTRICO DI COLLEGAMENTO UE 18K



- Remarks:**
1. Fault diagnosis by LED1 on outdoor unit PCB.
 2. Count times of LED1 flashing to judge the malfunction
 3. The details refer to the technology notebook

DIAGNOSIS	
LED1 FLASHING	abnormal → according to times of LED1 flashing to check
LED1 ON	normal → check the indoor unit
LED1 OFF	abnormal → power supply fault or check the main PCB board